



CorePro LEDspot MV

Corepro LEDspot 3.5-35W GU10 827 36D

CorePro LEDspots are a perfect fit for spot lighting and deliver warm halogen-like light. They are compatible with most existing fixtures with a GU10 or E27 base and are designed as a retrofit replacement for halogen or incandescent spots. CorePro LEDspots deliver significant energy savings and minimize maintenance cost.

Product data

General Information	
Cap-Base	GU10 [GU10]
EU RoHS compliant	Yes
Nominal Lifetime (Nom)	15000 h
Switching Cycle	50000X
Technical Type	3.5-35W
Light Technical	
Color Code	827 [CCT of 2700K]
Beam Angle (Nom)	36 °
Luminous Flux (Nom)	255 lm
Luminous Intensity (Nom)	545 cd
Color Designation	Warm White (WW)
Correlated Color Temperature (Nom)	2700 K
Luminous Efficacy (rated) (Nom)	72.00 lm/W
Color Consistency	<6
Color Rendering Index (Nom)	80
LLMF At End Of Nominal Lifetime (Nom)	70 %
Luminous Flux in 90° Cone (Rated)	255 lm
Operating and Electrical	
Input Frequency	50 to 60 Hz
Power (Nom)	3.5 W

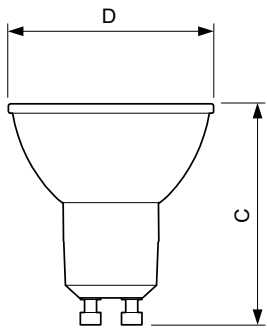
Lamp Current (Nom)	32 mA
Wattage Equivalent	35 W
Starting Time (Nom)	0.5 s
Warm Up Time to 60% Light (Nom)	0.5 s
Power Factor (Nom)	0.5
Voltage (Nom)	220-240 V
Temperature	
T-Case Maximum (Nom)	65 °C
Controls and Dimming	
Dimmable	No
Mechanical and Housing	
Bulb Shape	PAR16 [PAR 2 inch]
Approval and Application	
Energy Efficiency Label (EEL)	A+
Suitable For Accent Lighting	Yes
Energy Consumption kWh/1000 h	4 kWh
Product Data	
Full product code	871869675253100

CorePro LEDspot MV

Order product name	Corepro LEDspot 3.5-35W GU10 827 36D
EAN/UPC - Product	8718696752531
Order code	929001217862
Numerator - Quantity Per Pack	1
Numerator - Packs per outer box	10

Material Nr. (12NC)	929001217862
Net Weight (Piece)	0.038 kg

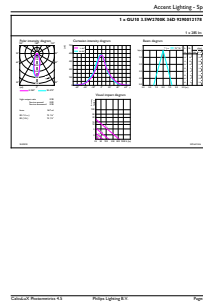
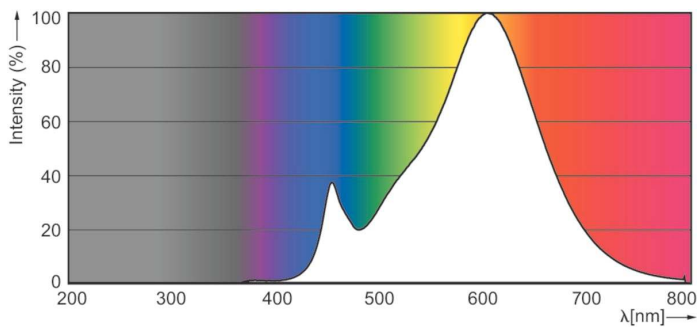
Dimensional drawing



GU10 230V 4W-35W 260lm 60D 2700K GU10 ND

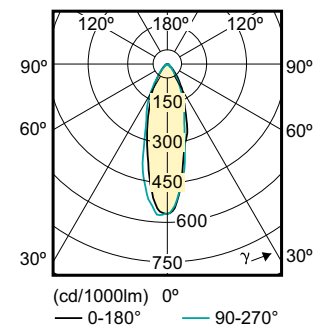
Product	D	C
Corepro LEDspot 3.5-35W GU10 827 36D	50 mm	54 mm

Photometric data



LEDspotMV GU10 MR16 827

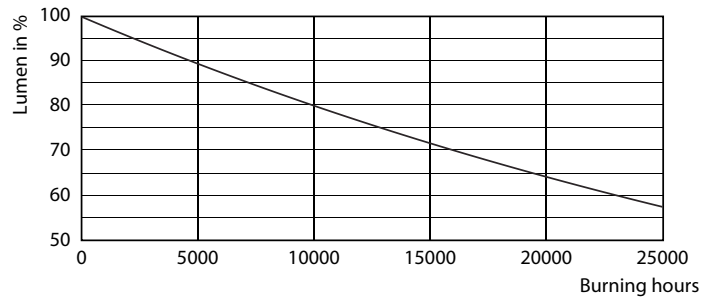
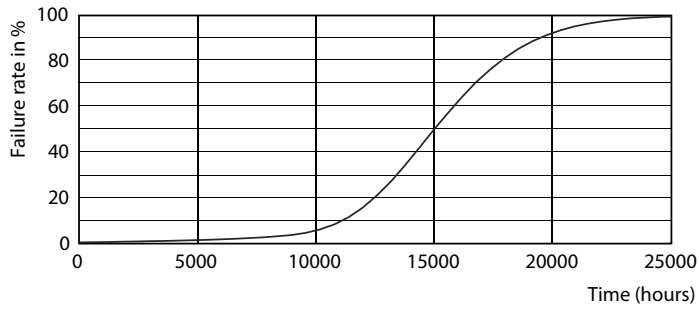
LED Lamps, CorePro LEDspotMV 3.5-35W GU10 PAR16 827 255lm 36D



LED Lamps, CorePro LEDspotMV 3.5-35W GU10 PAR16 827 255lm 36D

CorePro LEDspot MV

Lifetime



CLA LEDspotMV 50W GU10 827 36D ND

CLA LEDspotMV 50W GU10 827 36D ND

